

Typical Performance Technical Data Sheet



Catalog No. T20SB2Y-150

Characteristics	
Phase	3
KVA	150
Primary	208Δ
Secondary	208Y/120
Conductor	Aluminum
Temp. Rise	80° C
Frequency	60 HZ
Taps	+2, -2 x 3%
ESS	Yes
Insulation	220° C
Weathershield	WS-12A
Wall Bracket	NONE
Weight (lbs)	1520
Sound (dB)	50

Typical Performance @ 100° C	
Regulation @ 100% PF	1.2%
Regulation @ 80% PF	2.7%
Impedance	3.1%
No Load Losses (W)	352
Full Load Losses (W)	1,791

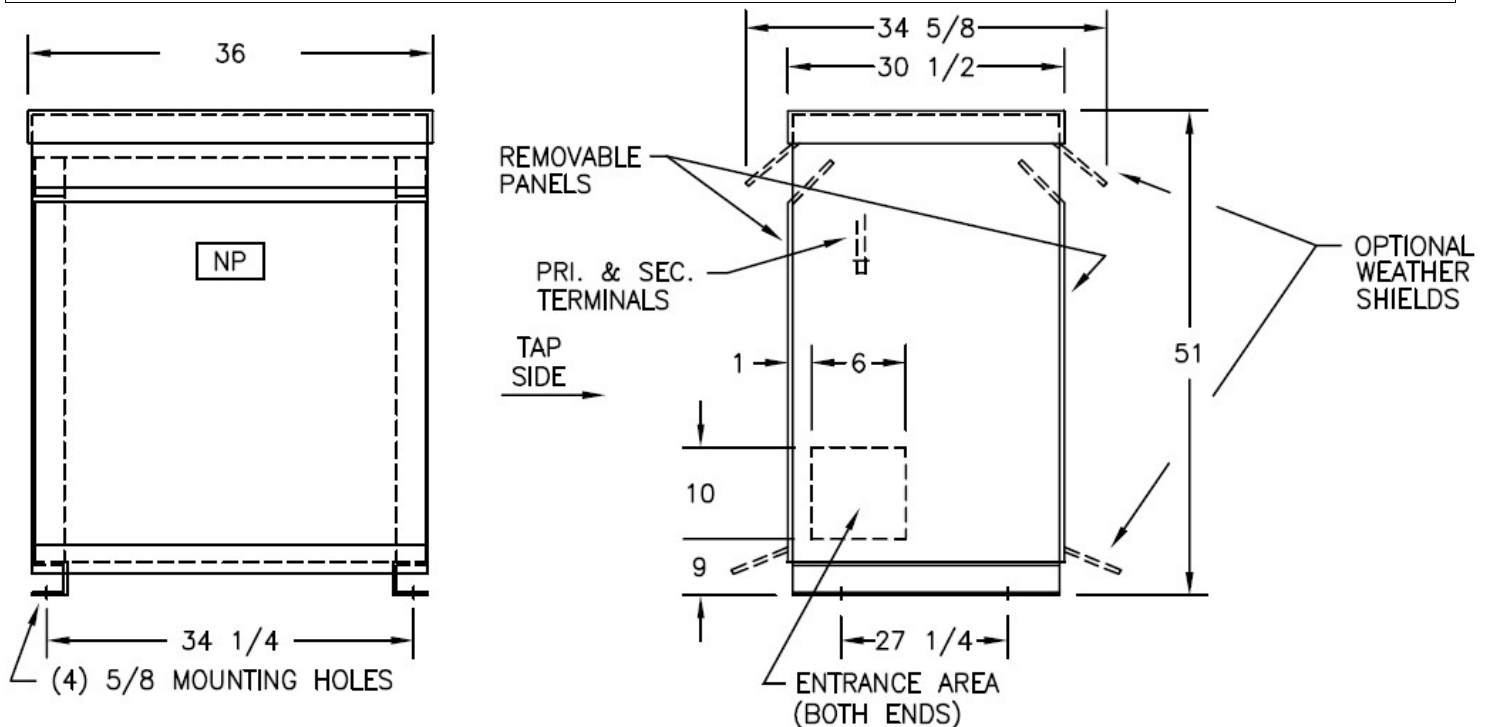
Wiring Diagram -19B

VOLTS	CONNECTIONS	LINE LEADS
220	2 TO 3	H1, H2, H3
214	2 TO 5	H1, H2, H3
208	3 TO 4	H1, H2, H3
202	4 TO 5	H1, H2, H3
169	5 TO 6	H1, H2, H3
208Y/120		X0, X1, X2, X3

AMP Ratings	
Line In (Primary) @ 208V	416 A
Load (Secondary) @ 208V	416 A

Notes

All units are UL listed and are designed in accordance with applicable NEMA, ANSI and IEEE standards. Transformers are dry-type AA, ventilated NEMA 2 enclosure. If a weathershield is indicated above this transformer can be converted to a NEMA 3R enclosure. Transformers are floor mounted. Wall mounting bracket kit if shown above is optional and is supplied as a separate accessory. Paint color is ANSI 61.



Outline No: 08A6315

Meets 10 CFR 431(DOE 2016) Efficiency
Dry Type Transformer General Purpose

© 2017 Electro-Mechanical Corporation

For reference only
Subject to change without notice